

THE SHEER COLLECTION

# Omnitub Sheer 900

900 × 700 × 625 mm

600 mm internal soaking depth · 625 mm external height

Hand-built Omnigel® · white in stock · any colour made to order · self-levelling feet · 30-year warranty

ORDER OR ASK US ANYTHING

ONLINE [www.omnitub.co.uk](http://www.omnitub.co.uk)

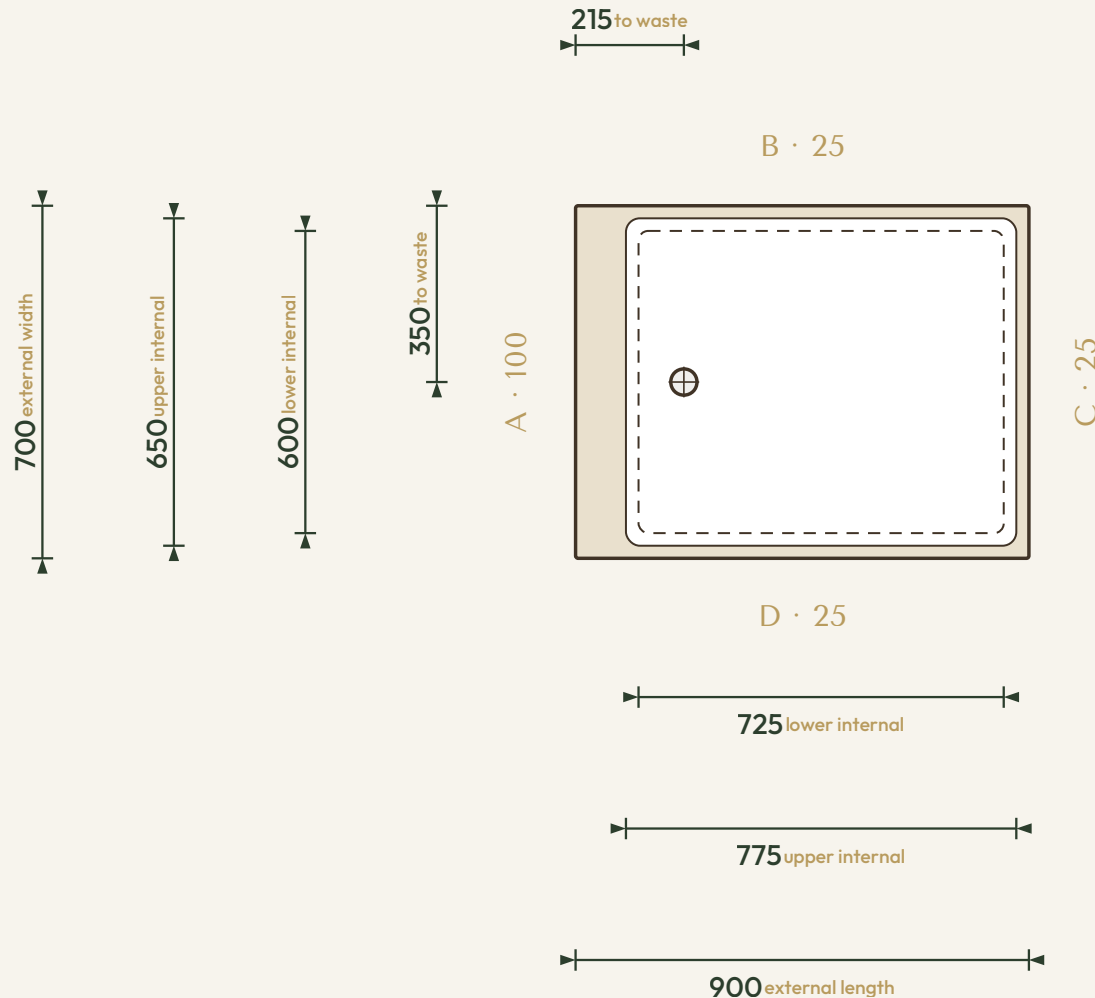
PHONE +44 1934 751 200

WHATSAPP +44 1934 751 200

EMAIL [info@omnitub.co.uk](mailto:info@omnitub.co.uk)



VIEWED FROM ABOVE



Specification

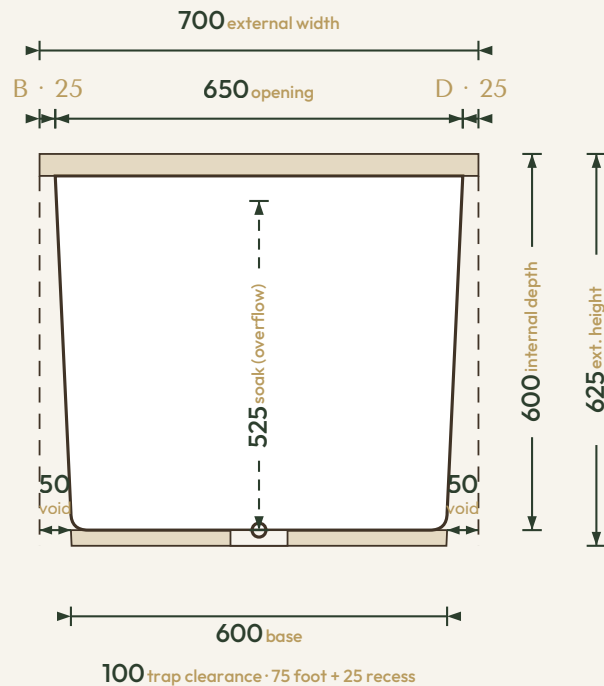
DIMENSIONS	900 × 700 × 625 mm
INTERNAL DEPTH	600 mm
EXTERNAL HEIGHT	625 mm
SOAK DEPTH	up to 600 mm · 525 mm with overflow
OPENING (INTERNAL)	775 × 650 mm
BASE (INTERNAL)	725 × 600 mm
FILL VOLUME (EMPTY)	~244 L to overflow · ~281 L brim-full — water in use is lower once you're in it
NET WEIGHT	18.3 kg (empty)
FLANGES	A 100 mm · B/C/D 25 mm
VERTICAL FLANGE	35 mm
TAPER	25 mm per side over the depth
CORNER RADIUS	~27.5 mm internal
WASTE	∅ 52 mm (1½" BSP) hole
MATERIAL	Hand-built Omnigel® · 7-layer built-up system
SURFACE	Hand-polished Omnigel®
COLOUR	Any colour · white shown = BS 4800 00 E 55
INSTALLATION	Above-floor, fully supported & dead level · or undermounted, overmounted, inset, part-submerged or raised
DELIVERY	Free UK Mainland Named Day Delivery · international to 220+ countries
WARRANTY	30-year
MADE IN	Somerset, United Kingdom

Note · the base falls toward the waste and is not flat. Set the tub dead level on a continuous mortar bed, packers, a foam base or silicone fully supported and secure.

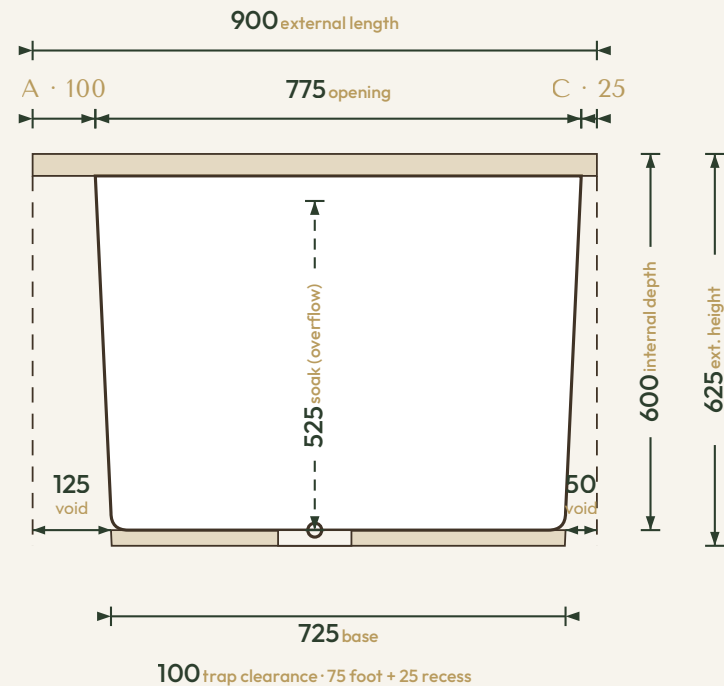
ORDERING [www.omnitub.co.uk](http://www.omnitub.co.uk)

FOR INSTALLATION

END PROFILE



SIDE PROFILE



35 mm vertical flange · 25 mm taper / side · both profiles

**Profiles (no feet):** END = section through the width; SIDE = section through the length, drawn to the same scale. Full-width external body with a recessed, tapered soaking well — 25 mm/side over the 600 mm depth, on a 35 mm vertical flange below the flat rim. The "void" is the clearance each side at the base for soil-stack / pipe runs. Flange A 100 mm; B, C, D 25 mm. All dimensions in millimetres.

GET IN TOUCH

# Omnitub Ltd

特 オムニタブ HANDMADE IN SOMERSET

ONLINE [www.omnitub.co.uk](http://www.omnitub.co.uk)

PHONE +44 1934 751 200

WHATSAPP +44 1934 751 200

EMAIL [info@omnitub.co.uk](mailto:info@omnitub.co.uk)

SHOWROOM Unit 6 Works 22, Bennett Road, Highbridge, TA9 4PW

WORKSHOP Unit 5 Batch Business Park, Lympsham, BS24 0ES

White is always in stock; every colour is made to order. Self-levelling feet supplied.  
Every Omnitub is hand built in Somerset from our 7-layer Omnigel® built-up system,  
backed by a 30-year warranty.

