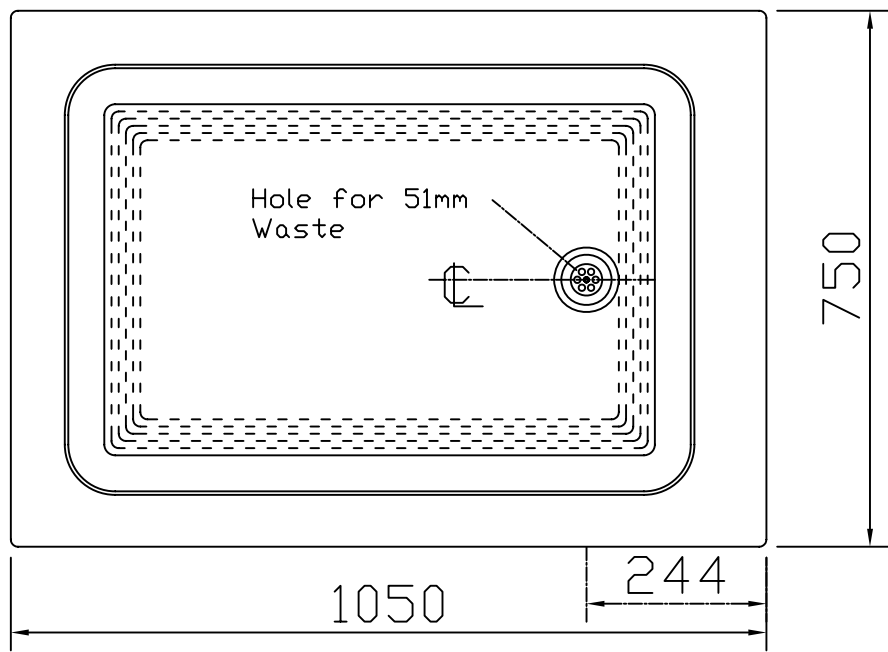
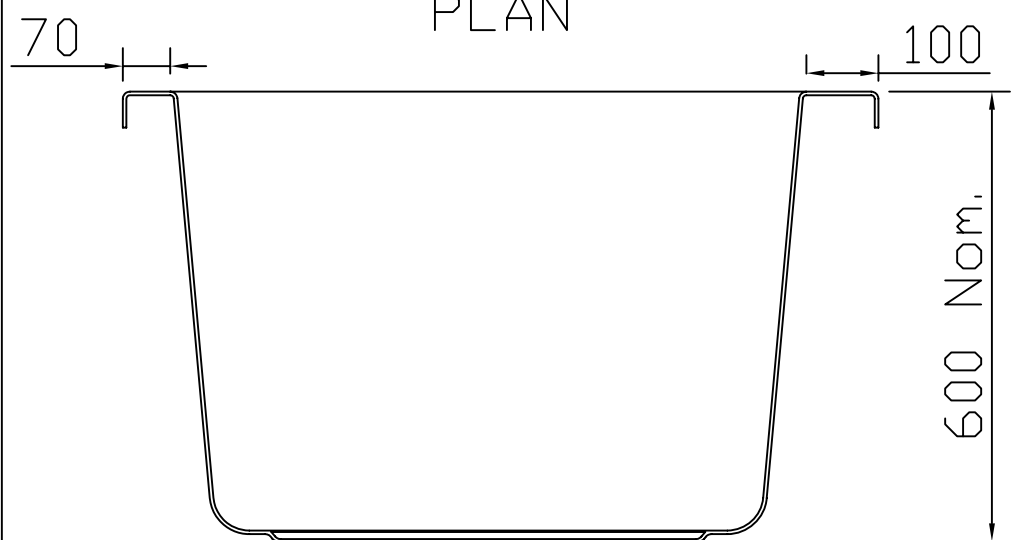


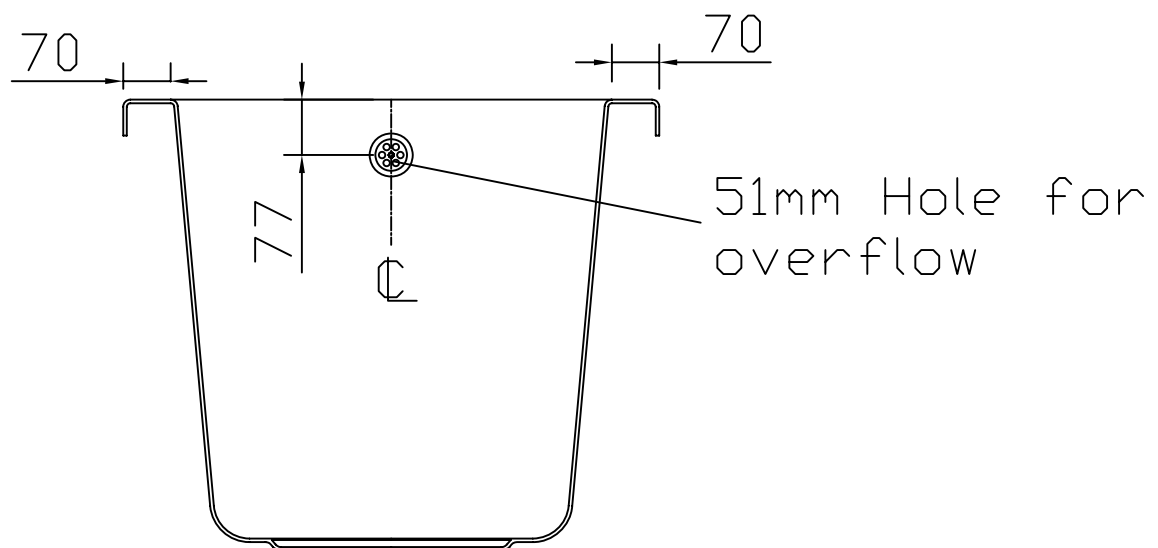
SPECIFICATIONS				
Material: Glass Reinforced Plastic				
Colour: White				
Other Colours available to special order				
Weight: 15Kg Nett				



PLAN





SIDE SECTION



END SECTION

No.	DESCRIPTION	DATE	DRN.
2	General Update	Feb07	JE
1	General Update	Jan06	JE

ALTERATIONS

 ALL DIMENSIONS ARE IN MILLIMETRES.
 DO NOT SCALE THIS DRAWING.

OMNI TUB HOLD
 THE COPYRIGHT OF THIS DOCUMENT.
 CONSENT IS REQUIRED FROM THIS
 COMPANY TO COPY THIS DOCUMENT.

OMNI TUB
 England
 Tel: +44 (0) 1761 462641
 Fax: +44 (0) 1761 462641
 E-Mail: info@omnitub.co.uk
 Web Site: www.omnitub.co.uk

DESCRIPTION:
 Omni Solo

CLIENT:				
SCALE	DATE	DRAWN	CHECKED	APPROVED
nts	Feb07	JE		
DRAWING No.			SIZE	ISSUE
Omni Solo			A4	2